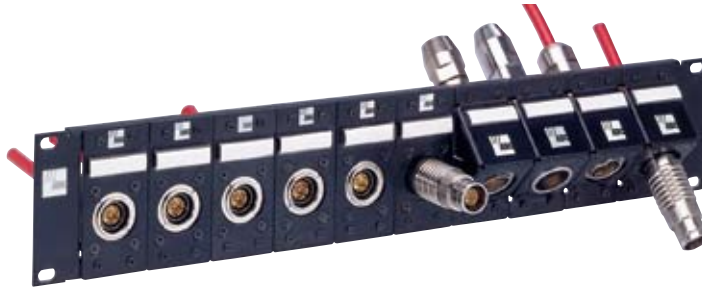


ProAx® Triaxial Camera Connectors



For years, the industry has been locked into connector designs that are difficult to terminate, and even more difficult to field repair. ADC's line of ProAx® Triaxial Camera Connectors will change the way you think about this component forever. These connectors have innovative features such as gender/type changability field repairable center conductors that eliminate the need to restrip, o-rings that protect the signal path against moisture, fewer parts to assemble, and compatibility with the tooling you already own.

Features:

Field Repairable

Triax connectors can really take a beating—especially in field applications where dirt, sand and moisture are everywhere. When the female center conductor breaks, or the male latches are worn, the entire assembly must be cut off and reterminated.

Using a two-piece center conductor and a housing assembly that can easily be replaced in the field without having to restrip and reterminate the entire connector, the patented ADC ProAx triax connector allows you to simply replace a damaged portion of the connector with common tools. When a repair is needed, the outer shell and insulator can be removed; next you simply unscrew the center conductor housing and replace the center conductor assembly, reversing the process to assemble. Absolutely no stripping or crimp tools are required.

Gender Reversible

With ADC's ProAx triax connectors, gender parts can be swapped back and forth between males and females in only a few seconds. This process eliminates common problems such as when you've just run a thousand feet of triax only to discover the male is where the female should be. Simply trade the male for the female and continue with your project.

Format Reversible

With ADC's U.S. and six international standard (Global, BBC, Reverse BBC, French, German and Japanese) versions, O.B. vans and internationally televised events no longer mean headaches for camera technicians. ADC's patented ProAx triax connectors can be format reversed between U.S. and global formats in only seconds. Plus, ADC's ProAx triax connectors are designed to fit standard U.S. triax cables as well as global metric cables.

SPEC SHEET



www.adc.com • +1-952-938-8080 • 1-800-366-3891



ProAx® Triaxial Camera Connectors

Cable Mount

Applications

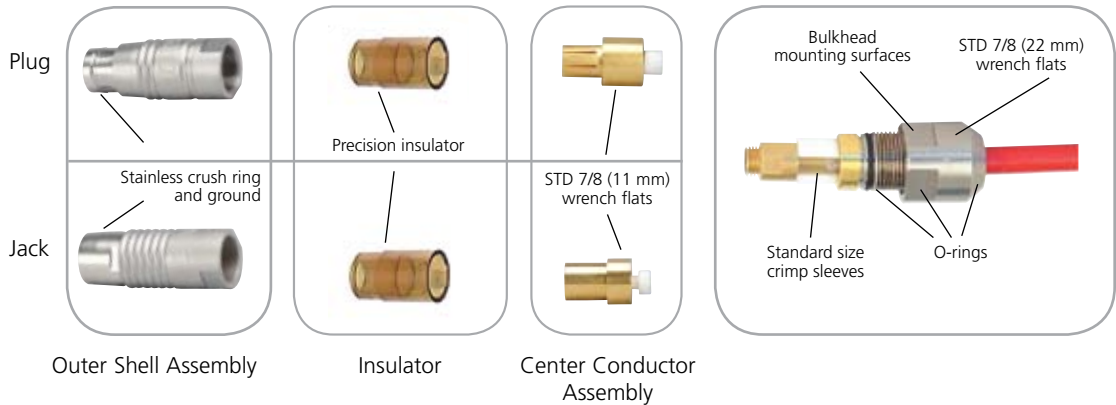
High-Definition Ready True 75 Ω Impedance

The ADC ProAx® triax connector line is designed for maximum bandwidth for serial digital and high-definition digital applications while maintaining a true 75 Ω impedance. All critical path components are gold-plated for outstanding durability and connectivity.

ProAx® Triaxial Camera Connectors

Gender/Type Changer Connector Assembly (global standard shown)

Universal Backshell Cable Dependent



Solid Outer Shield Ground

The solid outer braid ground in the ProAx triax connector maintains the ground no matter what the conditions. This eliminates camera shutdown from intermittent grounds, as well as the need for special conductive gaskets between the male and female connectors.

Sturdy Construction

Each female ProAx triax connector is made of machined brass with stainless steel crush rings to assure maximum crush strength. The assembly will not go out of round under typical mobile application wear and tear.

Patented Panel-Mount System

Each ProAx triax connector can be either cable-mounted or panel-mounted with our patented mounting kit. The mounting kit securely fastens the male or female connector to a steel plate that is attached to standard panels. Two different mounting options are available: a unique 45° and the standard 90° straight. ADC's angled 45° mounting option reduces the weight of the cables on the connectors providing less strain on the connectors than the traditional 90° mounting. Mounting yokes are available separately for custom metalwork applications.

Compatibility

ProAx triax connectors are engineered to be compatible with other industry triaxial connectors from Kings Electronics Co. Inc., Fischer Connectors Holding S.A., LEMO SA, Tajimi, and Damar & Hagen, as well as standard industry tools and dies.

ProAx® Triaxial Camera Connectors
5/08 • 102720AE



ProAx® Triaxial Camera Connectors

Cable Mount

5 / 0 8 • 1 0 2 7 2 0 A E ProAx® Triaxial Camera Connectors



**American Standard
A-Series**
Equivalent: Kings



**Global Standard
G-Series**
Equivalent: Fischer Connectors® Series 1051 A004*



**BBC Standard
B-Series**
Equivalent: Lemo 4M



**Reverse BBC Standard
N-Series**
Equivalent: Lemo 4E



**French Standard
L-Series**
Equivalent: Lemo 3T



**Japanese Standard
J-Series**
Equivalent: Tajimi



**German Standard
D-Series**
Equivalent: Damar & Hagen

Standard	Equivalent	Series
American	Kings	A
Global	Fischer	G
BBC	Lemo 4M	B
Reverse BBC	Lemo 4E	N
French	Lemo 3T	L
Japanese	Tajimi	J
German	Damar & Hagen	D

* Fischer connector series 1051 A004 is a registered trademark of Fischer Connectors Holding S.A.



ProAx® Triaxial Camera Connectors

Cable Mount

This system offers the flexibility of choosing/changing gender and type after terminating the cable. Ordering the gender changer kit and cable mount backshell separately results in reduced mistakes and repairs in the field. When a complete connector is ordered it is comprised of a gender changer kit (series and gender specific) and cable mount backshell (cable size specific).

Gender Changer Kits

Kits include all parts needed for changing gender and series.



Gender Changer Kit
(global standard shown)

Ordering Information

Description (Series)	Gender	Catalog Number
Gender Changer Kits		
American	Female jack	ATRK-GCF
	Male plug	ATRK-GCM
Global	Female jack	GTRK-GCF
	Male plug	GTRK-GCM
BBC	Female jack	BTRK-GCF-50*
	Male plug	BTRK-GCM-50*
Reverse BBC	Female jack	NTRK-GCF-75*
	Male plug	NTRK-GCM-75*
French	Female jack	LTRK-GCF
	Male plug	LTRK-GCM
Japanese	Female jack	JTRK-GCF
	Male plug	JTRK-GCM
German	Female jack	DTRK-GCF
	Male plug	DTRK-GCM

*Available with 75 Ω or 50 Ω options.

Legend:

Standard	Equivalent	Series	Standard	Equivalent	Series	Standard	Equivalent	Series
American	Kings	A	BBC	Lemo 4M	B	French	Lemo 3T	L
Global	Fischer	G	Reverse BBC	Lemo 4E	N	Japanese	Tajimi	J
						German	Damar & Hagen	D

Call a distributor for more information. To locate a distributor, visit ADC.com/partners.



ProAx® Triaxial Camera Connectors

Cable Mount

Cable Mount Backshells

Includes all parts needed for cable termination.



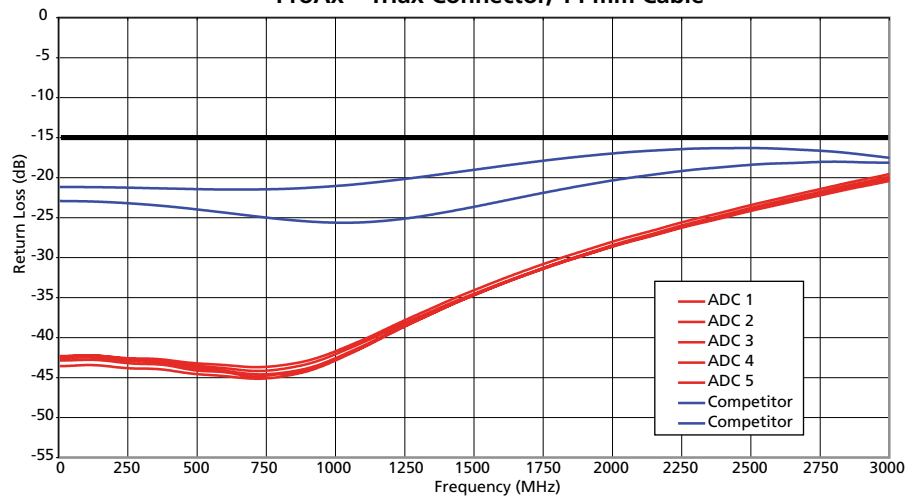
Universal RoHS Compliant Backshell
Cable Size Dependent

Ordering Information

Description	Catalog Number
Universal RoHS Compliant Backshells**	
A12 (1/2"), .475" cables, 75 Ω	GTRK-BS-A12
B38 (3/8"), .360" cables, 75 Ω	GTRK-BS-B38
C12 (1/2"), .520" cables, 75 Ω	GTRK-BS-C12
D38 (3/8"), .410" cables, 75 Ω	GTRK-BS-D38
E38 (3/8"), .315" cables, 75 Ω	GTRK-BS-E38
F14 (1/4"), .246" cables, 75 Ω	GTRK-BS-F14
G8 (8 mm) cables, 75 Ω	GTRK-BS-G8
H11 (11 mm) cables, 75 Ω	GTRK-BS-H11
K14 (14 mm) cables, 75 Ω	GTRK-BS-K14
M9 (9 mm) cables, 75 Ω	GTRK-BS-M9
N12 (12 mm) cables, 75 Ω	GTRK-BS-N12
P13 (13 mm) cables, 75 Ω	GTRK-BS-P13

**See page 18 and 19 to cross reference your cable type with ADC's cable code and for additional cable sizes.

Gated Return Loss
ProAx® Triax Connector, 14 mm Cable



Legend:

Standard	Equivalent	Series	Standard	Equivalent	Series	Standard	Equivalent	Series
American	Kings	A	BBC	Lemo 4M	B	French	Lemo 3T	L
Global	Fischer	G	Reverse BBC	Lemo 4E	N	Japanese	Tajimi	J
						German	Damar&Hagen	D

Call a distributor for more information. To locate a distributor, visit ADC.com/partners.

5/08 • 102720AE ProAx® Triaxial Camera Connectors



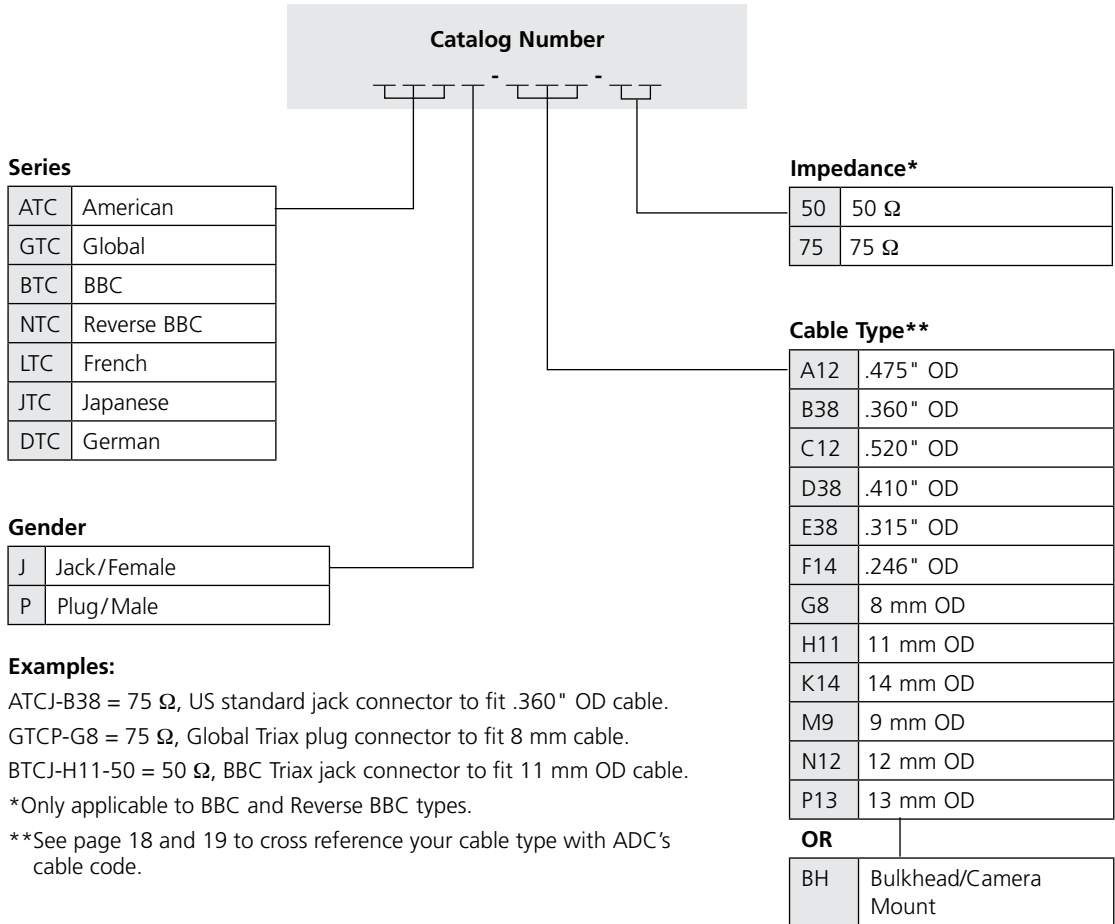
ProAx® Triaxial Camera Connectors

Cable Mount

Complete Connectors

ADC ProAx® triax connectors are available in US and six international formats. Use the following model to determine the catalog ordering number for your specific product needs.

5/08 • 102720AE ProAx® Triaxial Camera Connectors



Legend:

Standard	Equivalent	Series	Standard	Equivalent	Series	Standard	Equivalent	Series
American	Kings	A	BBC	Lemo 4M	B	French	Lemo 3T	L
Global	Fischer	G	Reverse BBC	Lemo 4E	N	Japanese	Tajimi	J
						German	Damar&Hagen	D

Call a distributor for more information. To locate a distributor, visit ADC.com/partners.



ProAx® Triaxial Camera Connectors

Cable Mount



American Triax Camera Connectors

Ordering Information

Description	Catalog Number	
	Jack	Plug
American Triax Complete Camera Connectors**		
A12 (1/2"), .475" cables, 75 Ω	ATCJ-A12	ATCP-A12
B38 (3/8"), .360" cables, 75 Ω	ATCJ-B38	ATCP-B38
C12 (1/2"), .520" cables, 75 Ω	ATCJ-C12	ATCP-C12
D38 (3/8"), .410" cables, 75 Ω	ATCJ-D38	ATCP-D38
E38 (3/8"), .315" cables, 75 Ω	ATCJ-E38	ATCP-E38
F14 (1/4"), .246" cables, 75 Ω	ATCJ-F14	ATCP-F14

**See page 18 to cross reference your cable type with ADC's cable code.

Legend:

Standard	Equivalent	Series	Standard	Equivalent	Series	Standard	Equivalent	Series
American	Kings	A	BBC	Lemo 4M	B	French	Lemo 3T	L
Global	Fischer	G	Reverse BBC	Lemo 4E	N	Japanese	Tajimi	J
						German	Damar&Hagen	D

Call a distributor for more information. To locate a distributor, visit ADC.com/partners.

5/08 • 102720AE ProAx® Triaxial Camera Connectors



ProAx® Triaxial Camera Connectors

Cable Mount

5 / 0 8 • 1 0 2 7 2 0 A E ProAx® Triaxial Camera Connectors

Ordering Information			
Description (Series)	Gender	Cable Type**	Catalog Number
International Triax Complete Camera Connectors			
Global 	Female jack	G8 (8 mm) cables	GTCJ-G8
		H11 (11 mm) cables	GTCJ-H11
		K14 (14 mm) cables	GTCJ-K14
	Male plug	G8 (8 mm) cables	GTCP-G8
		H11 (11 mm) cables	GTCP-H11
		K14 (14 mm) cables	GTCP-K14
BBC 	Female jack	G8 (8 mm) cables	BTCJ-G8-50*
		H11 (11 mm) cables	BTCJ-H11-50*
		K14 (14 mm) cables	BTCJ-K14-50*
	Male plug	G8 (8 mm) cables	BTCP-G8-50*
		H11 (11 mm) cables	BTCP-H11-50*
		K14 (14 mm) cables	BTCP-K14-50*
Reverse BBC 	Female jack	G8 (8 mm) cables	NTCJ-G8-75*
		H11 (11 mm) cables	NTCJ-H11-75*
		K14 (14 mm) cables	NTCJ-K14-75*
	Male plug	G8 (8 mm) cables	NTCP-G8-75*
		H11 (11 mm) cables	NTCP-H11-75*
		K14 (14 mm) cables	NTCP-K14-75*
French 	Female jack	G8 (8 mm) cables	LTCJ-G8
		H11 (11 mm) cables	LTCJ-H11
		K14 (14 mm) cables	LTCJ-K14
	Male plug	G8 (8 mm) cables	LTCP-G8
		H11 (11 mm) cables	LTCP-H11
		K14 (14 mm) cables	LTCP-K14
Japanese 	Female jack	G8 (8 mm) cables	JTCJ-G8
		H11 (11 mm) cables	JTCJ-H11
		K14 (14 mm) cables	JTCJ-K14
	Male plug	G8 (8 mm) cables	JTCP-G8
		H11 (11 mm) cables	JTCP-H11
		K14 (14 mm) cables	JTCP-K14
German 	Female jack	G8 (8 mm) cables	DTCJ-G8
		H11 (11 mm) cables	DTCJ-H11
		K14 (14 mm) cables	DTCJ-K14
	Male plug	G8 (8 mm) cables	DTCP-G8
		H11 (11 mm) cables	DTCP-H11
		K14 (14 mm) cables	DTCP-K14

*Available with 75 Ω or 50 Ω options.

**See page 19 to cross reference your cable type with ADC's cable code and for additional cable sizes. Call a distributor for more information. To locate a distributor, visit ADC.com/partners.



ProAx® Triaxial Camera Connectors

Cable Mount



Center Conductor Repair Kit
(american standard shown)



Outer Shell Repair Kit
(global standard shown)

5/08 • 102720AE ProAx® Triaxial Camera Connectors

Ordering Information

Description (Series)	Gender	Catalog Number
Center Conductor Repair Kits		
American	Female jack	TRK-FF
	Male plug	TRK-FM
Global	Female jack	GTRK-FF
	Male plug	GTRK-FM
BBC and Reverse BBC	Female jack	BNTRK-FF-50
		BNTRK-FF-75
	Male plug	BNTRK-FM-50
		BNTRK-FM-75
French	Female jack	LTRK-FF
	Male plug	LTRK-FM
Japanese	Female jack	JTRK-FF
	Male plug	JTRK-FM
German	Female jack	DTRK-FF
	Male plug	DTRK-FM
Outer Shell Repair Kits		
American	Female jack	ATRK-FOS
	Male plug	ATRK-MOS
Global	Female jack	GTRK-FOS
	Male plug	GTRK-MOS
BBC	Female jack	BTRK-FOS
	Male plug	BTRK-MOS
Reverse BBC	Female jack	NTRK-FOS
	Male plug	NTRK-MOS
French	Female jack	LTRK-FOS
	Male plug	LTRK-MOS
Japanese	Female jack	JTRK-FOS
	Male plug	JTRK-MOS
German	Female jack	DTRK-FOS
	Male plug	DTRK-MOS

Legend:

Standard	Equivalent	Series	Standard	Equivalent	Series	Standard	Equivalent	Series
American	Kings	A	BBC	Lemo 4M	B	French	Lemo 3T	L
Global	Fischer	G	Reverse BBC	Lemo 4E	N	Japanese	Tajimi	J
						German	Damar & Hagen	D

Call a distributor for more information. To locate a distributor, visit ADC.com/partners.



ProAx® Triaxial Camera Connectors

Cable Mount



Rear Re-termination Repair Kit

Ordering Information

Description	Catalog Number
Rear Re-termination Repair Kits (only parts required for retermination)	
Size A12 and D38	GTRK-RAD
Size B38, E38 and F14	GTRK-RBEF
Size C12	GTRK-RC
Size G8	GTRK-RG
Size H11	GTRK-RH
Size K14	GTRK-RK
Size M9	GTRK-RM
Size N12	GTRK-RN
Size P13	GTRK-RP

Legend:

Standard	Equivalent	Series	Standard	Equivalent	Series	Standard	Equivalent	Series
American	Kings	A	BBC	Lemo 4M	B	French	Lemo 3T	L
Global	Fischer	G	Reverse BBC	Lemo 4E	N	Japanese	Tajimi	J
						German	Damar & Hagen	D

Call a distributor for more information. To locate a distributor, visit ADC.com/partners.

5/08 • 102720AE ProAx® Triaxial Camera Connectors



ProAx® Triaxial Camera Connectors

Cable Mount

Protective Weather Boots

ADC's triax weather boots provide ultimate protection for your triax connector investment.

Features

- Sealed to IP67 specification
- Available for all connector formats
- Feature a weather-tight patent pending lip-over seal protection
- Each boot is adjustable to fit any cable size
- Mating cap is attached via stainless steel lanyard, and is hermaphroditic for both male (plug) and female (jack) boots
- Made of a special high-performance UL rated rubber compound that can withstand extreme temperature ranges from -45 °C to +55 °C



Boot with Cap



Cap



Global (G-Series) Triax Connectors with Boots

Ordering Information

Description (Series)	Gender	Catalog Number
Protective Weather Boot with Cap		
American, BBC and Reverse BBC	Female jack	BNTCJ-BOOT
	Male plug	BNTCP-BOOT
Global	Female jack	GTCJ-BOOT
	Male plug	GTCP-BOOT
French	Female jack	LTCJ-BOOT
	Male plug	LTCP-BOOT
German; caps are metallic	Female jack	DTCJ-BOOT
	Male plug	DTCP-BOOT
Protective Weather Cap		
American, BBC and Reverse BBC		BNTC-CAP
Global		GTC-CAP
French		LTC-CAP
German; caps are metallic	Female jack	DTCJ-CAP
	Male plug	DTCP-CAP

Legend:

Standard	Equivalent	Series	Standard	Equivalent	Series	Standard	Equivalent	Series
American	Kings	A	BBC	Lemo 4M	B	French	Lemo 3T	L
Global	Fischer	G	Reverse BBC	Lemo 4E	N	Japanese	Tajimi	J
						German	Damar & Hagen	D

Call a distributor for more information. To locate a distributor, visit ADC.com/partners.

5/08 • 102720AE ProAx® Triaxial Camera Connectors



ProAx® Triaxial Camera Connectors

Bulkhead Mount

ADC's slim-line versions of its seven triax formats are specifically engineered for OEM camera use and low-profile bulkhead mounting. These new bulkhead connectors retain gender flexibility, field reparability and format reversible features that ensure high-performance.

Features

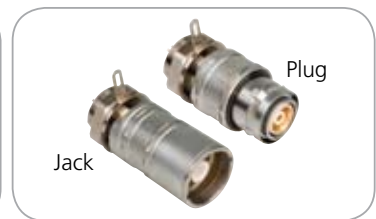
- Solder-style termination
- Connectors are gender and format interchangeable
- Field repairable without having to replace the connector or open the camera
- Compatible with industry-standard triaxial connectors
- Reverses between US and six international formats in just seconds
- Qualified to demanding MIL-STD 202



**American Standard
A-Series**
Equivalent: Kings



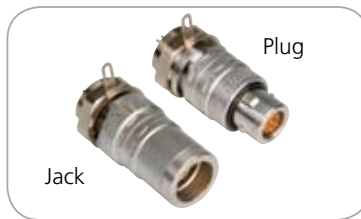
**Global Standard
G-Series**
Equivalent: Fischer Connectors®
Series 1051 A004*



**BBC Standard
B-Series**
Equivalent Lemo 4M



**Reverse BBC Standard
N-Series**
Equivalent: Lemo 4E



**French Standard
L-Series**
Equivalent: Lemo 3T



**Japanese Standard
J-Series**
Equivalent: Tajimi



**German Standard
D-Series**
Equivalent: Damar & Hagen

* Fischer connector series 1051 A004 is a registered trademark of Fischer Connectors Holding S.A.

Legend:

Standard	Equivalent	Series	Standard	Equivalent	Series	Standard	Equivalent	Series
American	Kings	A	BBC	Lemo 4M	B	French	Lemo 3T	L
Global	Fischer	G	Reverse BBC	Lemo 4E	N	Japanese	Tajimi	J
						German	Damar & Hagen	D

Call a distributor for more information. To locate a distributor, visit ADC.com/partners.

5 / 0 8 • 1 0 2 7 2 0 A E ProAx® Triaxial Camera Connectors



ProAx® Triaxial Camera Connectors

Bulkhead Mount

5/08 • 102720AE ProAx® Triaxial Camera Connectors

Ordering Information

Description (Series)	Gender	Catalog Number
Bulkhead/Camera Mount Triax Complete Camera Connectors (solder type)		
American	Female jack	ATCJ-BH
	Male plug	ATCP-BH
Global	Female jack	GTCJ-BH
	Male plug	GTCP-BH
BBC	Female jack	BTCJ-BH-50*
	Male plug	BTCP-BH-50*
Reverse BBC	Female jack	NTCJ-BH-75*
	Male plug	NTCP-BH-75*
French	Female jack	LTCJ-BH
	Male plug	LTCP-BH
Japanese	Female jack	JTCJ-BH
	Male plug	JTCP-BH
German	Female jack	DTCJ-BH
	Male plug	DTCP-BH

Ordering Information

Description (Series)	Gender	Catalog Number
Triax Camera Connector Repair Kits for Bulkhead Gender Changer Kits		
American	Female jack	ATRP-GCF-BH
	Male plug	ATRK-GCM-BH
Global	Female jack	GTRK-GCF-BH
	Male plug	GTRK-GCM-BH
BBC	Female jack	BTRK-GCF-BH-50*
	Male plug	BTRK-GCM-BH-50*
Reverse BBC	Female jack	NTRK-GCF-BH-75*
	Male plug	NTRK-GCM-BH-75*
French	Female jack	LTRK-GCF-BH
	Male plug	LTRK-GCM-BH
Japanese	Female jack	JTRK-GCF-BH
	Male plug	JTRK-GCM-BH
German	Female jack	DTRK-GCF-BH
	Male plug	DTRK-GCM-BH
Universal Rear Unit Panel Mount (solder-type)		TRK-RU-BH

*Available with 75 Ω or 50 Ω options.



Universal Rear Unit

Call a distributor for more information. To locate a distributor, visit ADC.com/partners.



ProAx® Triaxial Camera Connectors

Bulkhead Mount



Center Conductor Repair Kit

5/08 • 102720AE ProAx® Triaxial Camera Connectors

Ordering Information

Description (Series)	Gender	Catalog Number
Center Conductor Repair Kits		
American	Female jack	TRK-FF
	Male plug	TRK-FM
Global	Female jack	GTRK-FF
	Male plug	GTRK-FM
BBC and Reverse BBC	Female jack	BNTRK-FF-50
		BNTRK-FF-75
	Male plug	BNTRK-FM-50
		BNTRK-FM-75
French	Female jack	LTRK-FF
	Male plug	LTRK-FM
Japanese	Female jack	JTRK-FF
	Male plug	JTRK-FM
German	Female jack	DTRK-FF
	Male plug	DTRK-FM
Outer Shell Repair Kits		
American	Female jack	ATRK-BH-FOS
	Male plug	ATRK-BH-MOS
Global	Female jack	GTRK-BH-FOS
	Male plug	GTRK-BH-MOS
BBC	Female jack	BTRK-BH-FOS
	Male plug	BTRK-BH-MOS
Reverse BBC	Female jack	NTRK-BH-FOS
	Male plug	NTRK-BH-MOS
French	Female jack	LTRK-BH-FOS
	Male plug	LTRK-BH-MOS
Japanese	Female jack	JTRK-BH-FOS
	Male plug	JTRK-BH-MOS
German	Female jack	DTRK-BH-FOS
	Male plug	DTRK-BH-MOS

Legend:

Standard	Equivalent	Series	Standard	Equivalent	Series	Standard	Equivalent	Series
American	Kings	A	BBC	Lemo 4M	B	French	Lemo 3T	L
Global	Fischer	G	Reverse BBC	Lemo 4E	N	Japanese	Tajimi	J
						German	Damar&Hagen	D

Call a distributor for more information. To locate a distributor, visit ADC.com/partners.



ProAx® Triaxial Camera Connectors

Mounting Solutions and Accessories

5/08 • 102720AE ProAx® Triaxial Camera Connectors

Ordering Information

Description		Color	Catalog Number
Cable Mounting Solutions			
Panel 1 RU empty; for up to 10 connectors, requires connectors and yoke kits, sold separately		Black	TRP-1-BK
		Gray	TRP-1-G
Yoke clamp	Female ProAx® jacks	–	TCJ-Y
	Male ProAx® plugs	–	TCP-Y
Yoke clamp adapter**	G-Series jacks	–	GTCJ-YA
	L-Series, D-Series, J-Series jacks and D-Series plugs	–	LTCJ-YA
Panel 2 RU empty; for up to 10 TCM kits, requires connectors and TCM kits, sold separately		Black	TRP-2-BK
		Gray	TRP-2-G
Universal panel mount kit; mounts in TRP-2 panel (includes yoke clamps)	Straight	Black	TCM-KIT-BK
		Gray	TCM-KIT-G
	45 degree	Black	TCM45-KIT-BK
		Gray	TCM45-KIT-G
Blank cover		Black	TRP-2BLANK-BK
		Gray	TRP-2BLANK-G

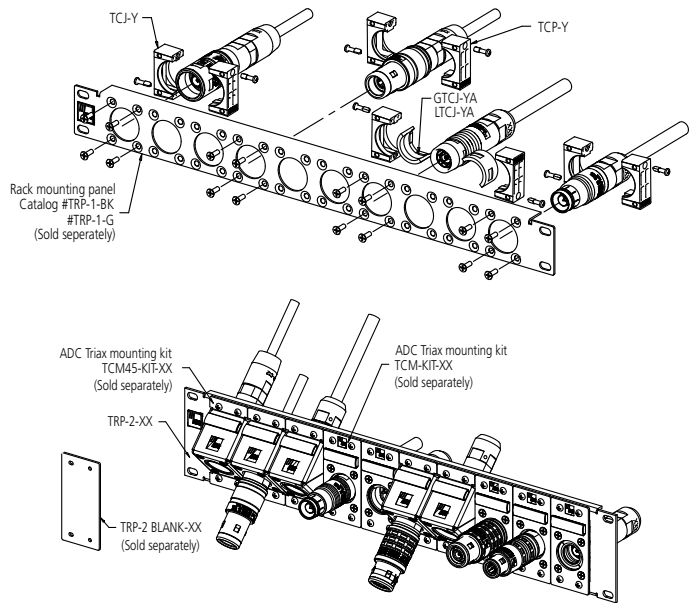
Yoke clamp kits for ADC catalog numbers.
Includes two half Yokes per kit.

*TCJ-Y	ATCJ-XXX **GTCJ-XXX BTCJ-XXX NTCJ-XXX **LTCJ-XXX **JTCJ-XXX **DTCJ-XXX
*TCP-Y	ATCP-XXX GTCP-XXX BTCP-XXX NTCP-XXX LTCP-XXX JTCP-XXX **DTCP-XXX

Yoke adapter kits for ADC catalog numbers.
Includes two half Yoke adapter clampers per kit.

GTCJ-YA	GTCJ-XXX
LTCJ-YA	LTCJ-XXX DTCJ-XXX DTCP-XXX JTCJ-XXX

* Included in TCM kits
** Req's Yoke adapter (sold separately)



Legend:

Standard	Equivalent	Series	Standard	Equivalent	Series	Standard	Equivalent	Series
American	Kings	A	BBC	Lemo 4M	B	French	Lemo 3T	L
Global	Fischer	G	Reverse BBC	Lemo 4E	N	Japanese	Tajimi	J
						German	Damar&Hagen	D

Call a distributor for more information. To locate a distributor, visit ADC.com/partners.



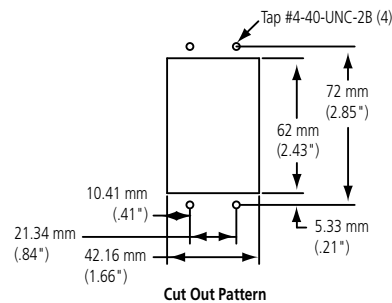
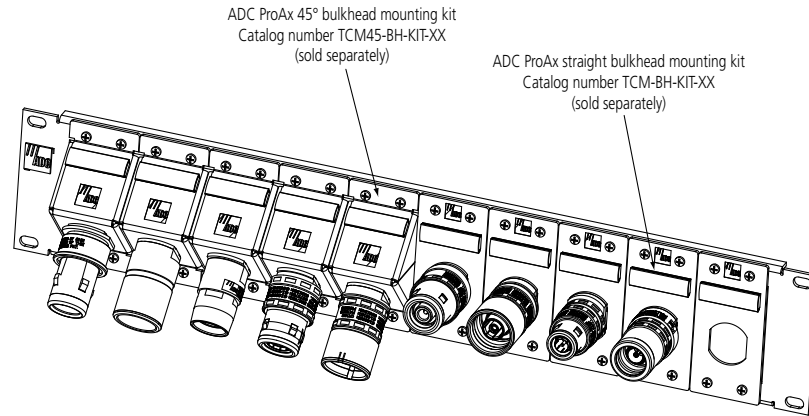
ProAx® Triaxial Camera Connectors

Mounting Solutions and Accessories

5/08 • 102720AE ProAx® Triaxial Camera Connectors

Ordering Information

Description		Color	Catalog Number
Bulkhead Mounting Solutions			
Panel 2 RU empty; for up to 10 TCM kits, requires connectors and TCM-BH kits, sold separately		Black	TRP-2-BK
		Gray	TRP-2-G
Universal panel mount kit; mounts in TRP-2 rack mount	Straight	Black	TCM-BH-KIT-BK
		Gray	TCM-BH-KIT-G
	45 degree	Black	TCM45-BH-KIT-BK
		Gray	TCM45-BH-KIT-G
Blank cover		Black	TRP-2BLANK-BK
		Gray	TRP-2BLANK-G



Legend:

Standard	Equivalent	Series	Standard	Equivalent	Series	Standard	Equivalent	Series
American	Kings	A	BBC	Lemo 4M	B	French	Lemo 3T	L
Global	Fischer	G	Reverse BBC	Lemo 4E	N	Japanese	Tajimi	J
						German	Damar & Hagen	D

Call a distributor for more information. To locate a distributor, visit ADC.com/partners.



ProAx® Triaxial Camera Connectors

Mounting Solutions and Accessories

5/08 • 102720AE ProAx® Triaxial Camera Connectors



UTA-1



UTA-2



UTA-KIT

Ordering Information

Description	Dimensions	Catalog Number
Universal Triax Adapter (UTA)		
UTA, adapts any connector type and gender. (Requires gender changer kit – See Pg. 4)		UTA-1
UTA short, adapts any connector type and gender. (Requires BH gender changer kit – See Pg. 13)		UTA-2
UTA kit, includes all triax (male and female) formats, with case (Japanese and German standards sold separately)		UTA-KIT
Empty case for UTA kit		UTA-CASE
Installation tool kits		
American		TRK-TKIT
International (Die sets sold separately)		TRK-GTKIT
Die Sets		
Size A12, D38, H11, N12	9.75 mm x 10.16 mm (.384" x .4")	TD-ADH
Size B38, E38, F14	6.47 mm x 10.16 mm (.255" x .4")	TD-BEF
Size C12	10.89 mm x 10.16 mm (.429" x .4")	TD-C
Size G8, M9	7.06 mm x 10.16 mm (.278" x .4")	TD-G
Size K14	12.09 mm x 10.16 mm (.476" x .4")	TD-K
Crimp Tool ; long-handled Pressmaster		WT-3
Wire Stripping Gauge		TRIAX-GAUGE
Thin Field Wrench		TRIAX-WRENCH

**See page 18 and 19 to cross reference your cable type with ADC's cable code. Call a distributor for more information. To locate a distributor, visit ADC.com/partners.



Universal Triax Adapter Assembled

ProAx® Triaxial Camera Connectors

Cable Reference Table

Imperial Cable Types

ADC Cable Code	A12		B38		C12		D38		E38		F14	
	Inch	mm	Inch	mm	Inch	mm	Inch	mm	Inch	mm	Inch	mm
Center Conductor O.D.	0.064	1.63	0.032	0.81	0.064	1.63	0.064	1.63	0.032	0.81	0.032	0.81
Core Insulation O.D.	0.285	7.24	0.143	3.63	0.312	7.92	0.285	7.24	0.143	3.63	0.135	3.43
Inner Braid O.D.	0.315	8.00	0.176	4.47	.0332	8.43	0.315	8.00	0.176	4.47	0.168	4.27
Inner Jacket O.D.	0.380	9.65	0.216	5.49	0.392	9.96	0.345	8.76	0.226	5.74	0.184	4.67
Outer Braid O.D.	0.395	10.03	0.250	6.35	0.422	10.72	0.375	9.53	0.256	6.50	0.215	5.46
Outer Jacket O.D.	0.475	12.07	0.360	9.14	0.520	13.21	0.410	10.41	0.315	8.00	0.235	5.97
Re termination Kits	GTRK-RA		GTRK-RB		GTRK-RC		GTRK-RD		GTRK-RE		GTRK-RF	
ADC Crimp Die	TD-ADH		TD-BEF		TD-C		TD-ADH		TD-BEF		TD-BEF	
Crimp Tool	WT-3/WT-2*		WT-3/WT-2*		WT-3/WT-2*		WT-3/WT-2*		WT-3/WT-2*		WT-3/WT-2*	

Cable Reference	Belden 8233	Belden 1856A	Belden 1858A	Belden 1859A	Belden 8232	Belden 88232
	Belden 8233A	Belden 1856B	Belden 9232	Gepco VT618811TK	Belden 8232A	
	Belden 7803A	Belden 1857A	Belden 9192		CommScope 7810	
	CommScope 7820	Belden 9267	Clark Wire TV7511	Nemal 1840		
	CommScope 7827	Clark Wire TV7559	CommScope 7825			
	Gepco VT61811	CommScope 7811	CommScope 7826			
	Gepco VT61811PE	CommScope 7812	Gepco LVT61811			
	Gepco VT61811PE/AP	CommScope 7814	Manhattan M8022			
		Gepco VT61859	Nemal 1820			
	Gepco VT61811PEF	Gepco LVT61859	Nemal 1825			
		Gepco LVT61859S				
	Nemal 1810	Manhattan M8021				
		Nemal 1835				

* WT-3 long handle/WT-2 shorthandle

ProAx® Triaxial Camera Connectors

Cable Reference Table Metric Cable Types

Metric Cable Types

ADC Cable Code	G8		H11		K14		M9		N12		P13	
	Inch	mm	Inch	mm	Inch	mm	Inch	mm	Inch	mm	Inch	mm
Center Conductor O.D.	0.039	0.99	0.056	1.42	0.087	2.21	0.039	1	0.055	1.4	0.074	1.89
Core Insulation O.D.	0.178	4.52	0.256	6.50	0.382	9.70	0.177	4.5	0.256	6.5	0.323	8.2
Inner Braid O.D.	0.200	5.08	0.284	7.21	0.413	10.49	0.201	5.1	0.280	7.1	0.350	8.9
Inner Jacket O.D.	0.260	6.60	0.344	8.74	0.468	11.89	0.260	6.6	0.339	8.6	0.394	10.0
Outer Braid O.D.	0.282	7.16	0.371	9.42	0.499	12.67	0.283	7.2	0.362	9.2	0.425	10.8
Outer Jacket O.D.	0.331	8.41	0.433	11.00	0.571	14.50	0.350	8.9	0.480	12.2	0.512	13
Reterminal Kits	GTRK-RG		GTRK-RH		GTRK-RK		GTRK-RM		GTRK-RN		GTRK-RP	
ADC Crimp Die	TD-G		TD-ADH		TD-K		TD-G		TD-ADH		TD-C + TD-K (for CC)	
Crimp Tool	WT-3/WT-2*		WT-3/WT-2*		WT-3/WT-2*		WT-3/WT-2*		WT-3/WT-2*		WT-3/WT-2*	

Cable Reference	Argosy CT2767300	Argosy CT27674XX	Argosy CT2766700	Draka Triax 8/1	Draka Triax 11/1	Triax B2 (France)
					Triax A2 (France)	
	Argosy CT27679XX	Argosy CT2766XXX	Argosy CT2766704			
	Argosy CT2765XXX	Argosy CT27681XX	Argosy CT7666700			
	Argosy CT28532XX	Argosy CT2850801	Argosy CT2767000			
	Bedeas 1.0s/4.5s Standard 8	Bedeas 1.4s/6.6s Standard 11	Bedeas Standard 14			
	Bedeas 1.0Ls/4.5s Superflex 8	Bedeas 1.4Ls/6.6s Superflex 11	Bedeas Superflex 14			
	Belden 7783A	Belden 7784AS	Belden 7785A			
	Belden 7801A	BIW 91307	Draka Triax 14			
	Draka Triax 8	Draka Triax 11	Fujikura 9.6/2.22EFTXF			
	Filotex SFP:A2 Video Fixe	Filotex SPF:B2 Video Fixe	Nokia Triax 14			
	Filotex SFP:A2 Video Mobile	Filotex SFP:B2 Video Mobile	Nokia Triflex 14			
	Fujikura 4.8/1.0 EFTXF	Intercond RX 75/56				
	Hirakava Triax 4.8/1.0 Tufret	N.E.K. 63990				
	Intercond RX 75/55	Nokia Triax 11 1.4s/6.6s				
	N.E.K. 23860	Nokia Triflex 11 1.4Ls/6.6s				
	Nokia Triax 8 1.0s/4.5s					
	Nokia Triflex 8 1.0Ls/4.5s					
	Percon Triax 8 Rigid (HF)					
	Percon Triax 8 Flex (HF)					
	Percon Triax 8 Z (Superflex)					
	Percon Triax 8 FRLSHF					

* WT-3 long handle/WT-2 shorthandle

SPEC SHEET



Website: www.adc.com

From North America, Call Toll Free: 1-800-366-3891 • Outside of North America: +1-952-938-8080
Fax: +1-952-917-3237 • For a listing of ADC's global sales office locations, please refer to our website.

ADC Telecommunications, Inc., P.O. Box 1101, Minneapolis, Minnesota USA 55440-1101
Specifications published here are current as of the date of publication of this document. Because we are continuously improving our products, ADC reserves the right to change specifications without prior notice. At any time, you may verify product specifications by contacting our headquarters office in Minneapolis. ADC Telecommunications, Inc. views its patent portfolio as an important corporate asset and vigorously enforces its patents. Products or features contained herein may be covered by one or more U.S. or foreign patents. An Equal Opportunity Employer

102720AE 5/08 Revision © 2008, 2006 ADC Telecommunications, Inc. All Rights Reserved